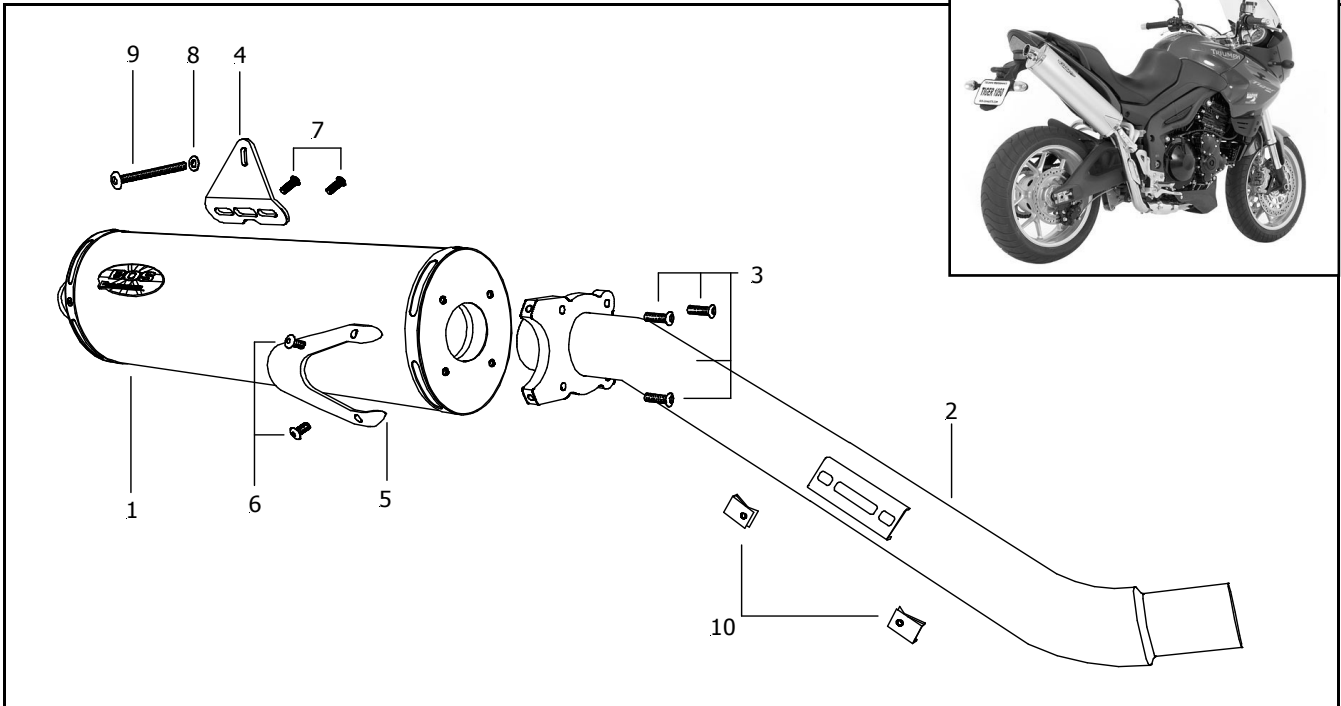


# TRIUMPH

## BOS SLIP-ON OVAL 2007 AND UP

### TIGER 1050



Pos	Qty	Description	Part No.
1	1	Muffler aluminium	299721
2	1	Adapter	298707
3	4	Bolt M8 x 20 (in silencer)	408017
<b>Mounting kit :</b>			
4	1	Mounting bracket	28706
5	1	Heat shield	227708
6	2	Bolt M6 x 10	286701
7	2	Bolt M6 x 16	408025
8	1	Washer M8	408078
9	1	Bolt M8 x 50	408062
10	2	Speednut M5	408068
			408306

#### Order number

0710810A - Alu

#### Weight

Original: 6.0 kg

Bos: 3.6 kg

#### Noiselevel @ 4700 RPM

Original: Measured 90.0 dB(a)

Specified 90.0 dB(a)

Bos: Ec appr. 91.5 dB(a)

Open 93.5 dB(a)

#### Performance

Bos: 119.8 Hp / 8894 rpm

Stock: 110.7 Hp / 9048 rpm

Max Hp incr.:+ 10.4 Hp / 7467 rpm

Max Nm incr. :+ 10.1 Nm/6801rpm

#### Tips

More information like photos and a full color dyno graph can be found on: [www.bos-exhausts.com](http://www.bos-exhausts.com)

